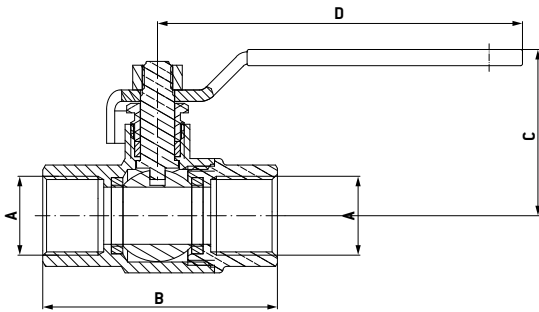
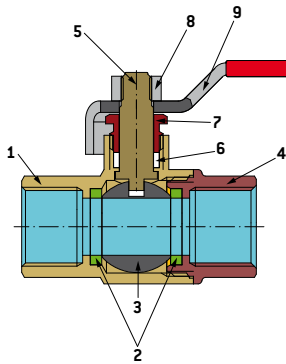


WATER BALL VALVES



- F/F bronze ball valve with iron lever
- Thread: ISO 228, on request EN10226-1 [ex ISO 7/1] - NPT
- Temperature range: -10°C to $+120^{\circ}\text{C}$ / min. 14°F to max. $+248^{\circ}\text{F}$

This valve is particularly indicated for distributing and shutting off fluids that can cause dezincification problems. It is also suitable for use in marine and other aggressive environments. Other excellent fields of application are in plant engineering for plumbing and heating, industry and shipbuilding. It is a full-bore valve, and ball seal is provided by two PTFE seats. Seal of the stem is provided by a PTFE ring and an adjustable gland with the stem mounted from inside and a bottom-loaded system. It is advisable to perform a complete manoeuvring cycle at least once every 3 months to prevent the formation of limescale, which would affect operation.

COMPONENTS:

POSN.	PART NAME	No. Pcs.	MATERIAL
1	Body	1	CC491K UNI-EN 1982:2000
2	Seal	2	PTFE
3	Ball	1	CW617N UNI-EN 12165 Chrome-plated
4	End connection	1	CC491K UNI-EN 1982:2000
5	Stem	1	CW617N UNI-EN 12164
6	Gland packing	1	PTFE
7	Gland	1	CW617N UNI-EN 12164
8	Nut	1	Galvanised iron
9	Lever	1	Galvanised iron and PVC coated

DIMENSIONS MM:

DN	A	B	C	D	PN
8	1/4"	51	47,5	85	32
10	3/8"	51	47,5	85	32
15	1/2"	62	45	85	32
20	3/4"	70	57,5	104	32
25	1"	85	57,5	104	32
32	1.1/4"	99	75	122	32
40	1.1/2"	110	77,5	122	32
50	2"	134	93	153	32
65	2.1/2"	142	119,5	200	25
80	3"	178	134	280	25
100	4"	210	153,5	280	25

DIMENSIONS INCH:

A	B	C	D	PSI
1/4"	2,008	1,870	3,346	500
3/8"	2,008	1,870	3,346	500
1/2"	2,441	1,771	3,346	500
3/4"	2,756	2,264	4,094	500
1"	3,346	2,264	4,094	500
1.1/4"	3,898	2,953	4,803	500
1.1/2"	4,331	3,051	4,803	500
2"	5,275	3,661	6,024	500
2.1/2"	5,950	4,705	7,874	400
3"	7,008	5,276	11,024	400
4"	8,268	6,043	11,024	400